

# DATA SHEET

## **TDA8779H** 10-bit converter interface (ADC/DAC) for quadrature transceiver

Product specification  
Supersedes data of 1999 Jan 18  
File under Integrated Circuits, IC02

1999 Sep 16

## 10-bit converter interface (ADC/DAC) for quadrature transceiver

## TDA8779H

### FEATURES

- Two 10-bit ADCs with multiplexed outputs
- Two 10-bit DACs with multiplexed inputs
- Sampling rate for the ADCs and DACs up to 20 MHz
- Digital outputs (for the ADC) and inputs (for the DAC) are TTL/CMOS compatible
- Internal reference voltage regulator
- Power dissipation 520 mW
- Standby mode.

### APPLICATIONS

- Wireless communication.

### GENERAL DESCRIPTION

The TDA8779 contains two 10-bit high speed ADCs and two 10-bit DACs for wireless communication (for use in transceiver modules). This device converts two analog input signals (channels I and Q) and digital inputs (D0 to D9) at a maximum sampling rate of 20 MHz. The input bias voltages for the analog input voltages are provided internally at the middle code. The analog input and output voltages are AC coupled.

The data sampling is performed on the rising edge of the clock for ADCs and DACs.

All reference voltages are generated internally.

### QUICK REFERENCE DATA

SYMBOL	PARAMETER	CONDITIONS	MIN.	TYP.	MAX.	UNIT
V <sub>CCA1</sub>	analog supply voltage for the ADC part		4.75	5.0	5.5	V
V <sub>CCD1</sub>	digital supply voltage for the ADC part		4.75	5.0	5.5	V
V <sub>CCA2</sub>	analog supply voltage for the DAC part		4.75	5.0	5.5	V
V <sub>CCD2</sub>	digital supply voltage for the DAC part		4.75	5.0	5.5	V
V <sub>CCO</sub>	output stage supply voltage		2.7	3.0	3.3	V
I <sub>CCA</sub>	analog supply current		59	74	85	mA
I <sub>CCD</sub>	digital supply current		15	23	35	mA
I <sub>CCO</sub>	output stage supply current	ramp input; f <sub>CLK</sub> = 20 MHz	–	7	–	mA
f <sub>CLK(ADC)max</sub>	maximum clock frequency for the ADC part		20	–	–	MHz
INLA	integral non linearity for the ADC part	full-scale; ramp input; f <sub>CLK</sub> = 20 MHz	–	±2.25	±4	LSB
DNLA	differential non linearity for the ADC part	full-scale; ramp input; f <sub>CLK</sub> = 20 MHz	–	+1.55 to –0.9	+2.8 to –1.1	LSB
f <sub>CLK(DAC)max</sub>	maximum clock frequency for the DAC part		20	–	–	MHz
INLD	integral non linearity for the DAC part	full-scale; ramp input; f <sub>CLK</sub> = 20 MHz	–	±0.4	±1.25	LSB
DNLD	differential non linearity for the DAC part	full-scale; ramp input; f <sub>CLK</sub> = 20 MHz	–	±0.35	±1.5	LSB
P <sub>tot</sub>	total power dissipation		–	520	745	mW

# 10-bit converter interface (ADC/DAC) for quadrature transceiver

TDA8779H

## ORDERING INFORMATION

TYPE NUMBER	PACKAGE		
	NAME	DESCRIPTION	VERSION
TDA8779H	QFP44	plastic quad flat package; 44 leads (lead length 1.3 mm); body 10 × 10 × 1.75 mm	SOT307-2

## BLOCK DIAGRAM

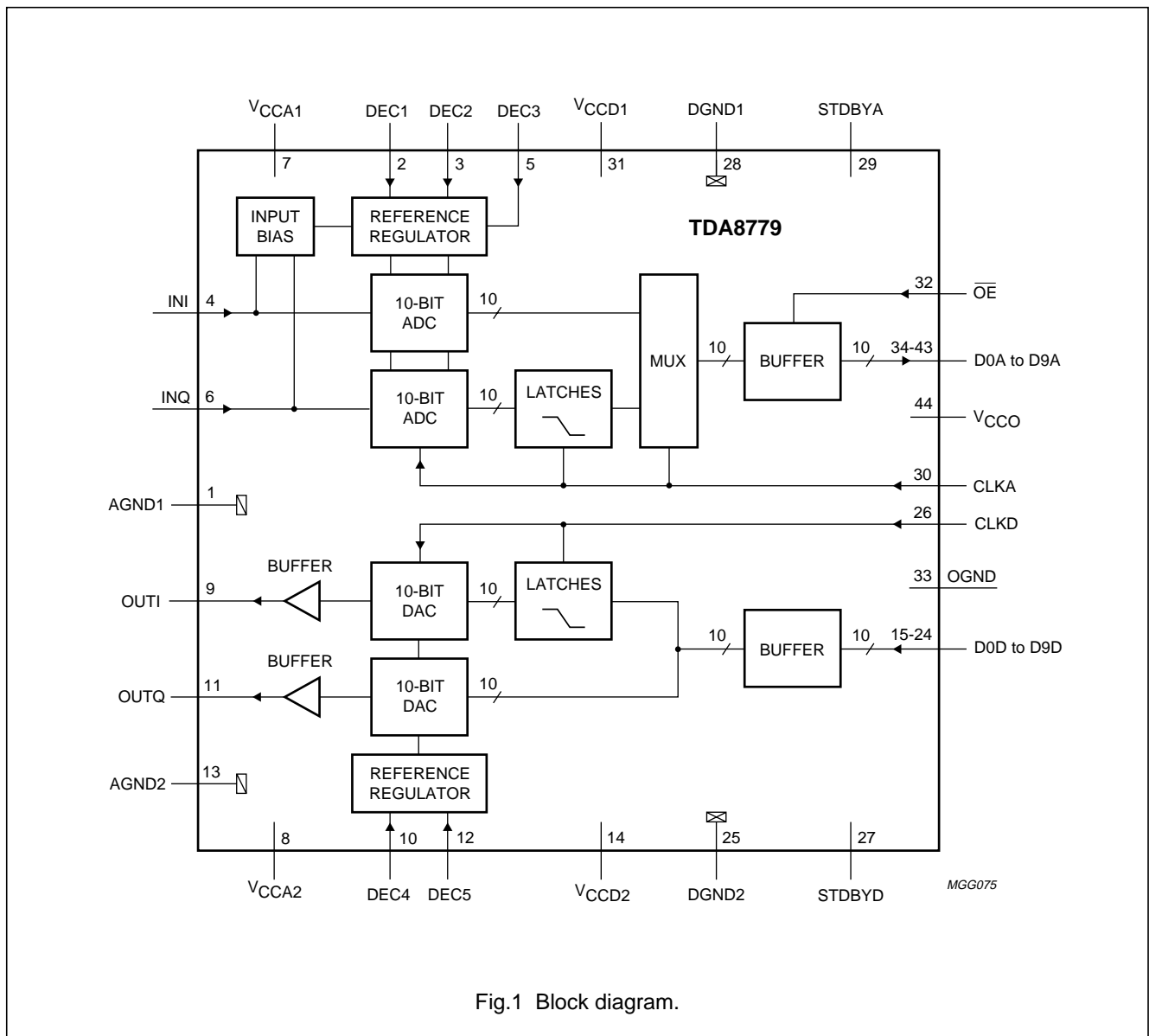


Fig.1 Block diagram.

# 10-bit converter interface (ADC/DAC) for quadrature transceiver

TDA8779H

## PINNING

SYMBOL	PIN	DESCRIPTION
AGND1	1	analog ground 1
DEC1	2	decoupling input 1
DEC2	3	decoupling input 2
INI	4	I channel ADC input
DEC3	5	decoupling input 3
INQ	6	Q channel ADC input
V <sub>CCA1</sub>	7	analog supply voltage 1 for ADC part (5 V)
V <sub>CCA2</sub>	8	analog supply voltage 2 for DAC part (5 V)
OUTI	9	I channel DAC analog output
DEC4	10	decoupling input 4
OUTQ	11	Q channel DAC analog output
DEC5	12	decoupling input 5
AGND2	13	analog ground 2
V <sub>CCD2</sub>	14	digital supply voltage 2 for DAC part (5 V)
D0D	15	multiplexed input for the DACs; bit 0
D1D	16	multiplexed input for the DACs; bit 1
D2D	17	multiplexed input for the DACs; bit 2
D3D	18	multiplexed input for the DACs; bit 3
D4D	19	multiplexed input for the DACs; bit 4
D5D	20	multiplexed input for the DACs; bit 5
D6D	21	multiplexed input for the DACs; bit 6
D7D	22	multiplexed input for the DACs; bit 7
D8D	23	multiplexed input for the DACs; bit 8
D9D	24	multiplexed input for the DACs; bit 9
DGND2	25	digital ground 2
CLKD	26	transmission block clock
STDBYD	27	power standby for the DAC part (active HIGH)
DGND1	28	digital ground 1
STDBYA	29	power standby for the ADC part (active HIGH)
CLKA	30	reception block clock
V <sub>CCD1</sub>	31	digital supply voltage 1 for ADC part (5 V)
$\overline{OE}$	32	ADCs digital output enable (3-state output); (active LOW)
OGND	33	input/output ground
D0A	34	I and Q digital outputs; bit 0
D1A	35	I and Q digital outputs; bit 1
D2A	36	I and Q digital outputs; bit 2
D3A	37	I and Q digital outputs; bit 3
D4A	38	I and Q digital outputs; bit 4
D5A	39	I and Q digital outputs; bit 5
D6A	40	I and Q digital outputs; bit 6

10-bit converter interface (ADC/DAC) for quadrature transceiver

TDA8779H

SYMBOL	PIN	DESCRIPTION
D7A	41	I and Q digital outputs; bit 7
D8A	42	I and Q digital outputs; bit 8
D9A	43	I and Q digital outputs; bit 9
V <sub>CCO</sub>	44	output supply voltage (2.7 to 3.3 V)

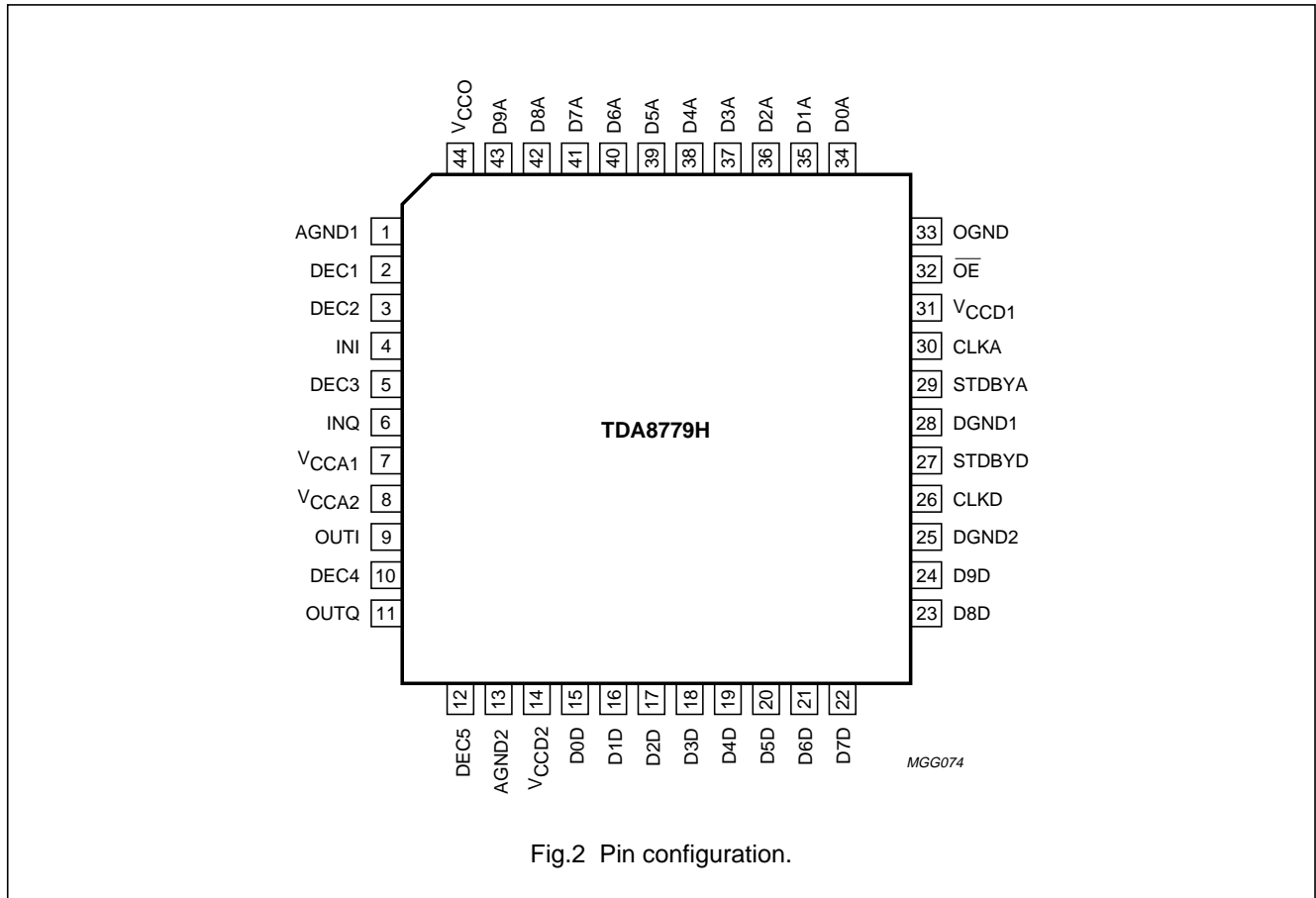


Fig.2 Pin configuration.

# 10-bit converter interface (ADC/DAC) for quadrature transceiver

TDA8779H

## LIMITING VALUES

In accordance with the Absolute Maximum Rating System (IEC 134).

SYMBOL	PARAMETER	CONDITIONS	MIN.	MAX.	UNIT
$V_{CCA1}$	analog supply voltage for the ADC part		-0.3	+6.0	V
$V_{CCA2}$	analog supply voltage for the DAC part		-0.3	+6.0	V
$V_{CCD1}$	digital supply voltage for the ADC part		-0.3	+6.0	V
$V_{CCD2}$	digital supply voltage for the DAC part		-0.3	+6.0	V
$V_{CCO}$	output stage supply voltage		-0.3	+6.0	V
$\Delta V_{CC}$	voltage difference between $V_{CCA} - V_{CCD}$ $V_{CCA} - V_{CCO}$ $V_{CCD} - V_{CCO}$		-1.0 -1.0 -1.0	+1.0 +4.0 +4.0	V V V
$I_o$	output current		-	10	mA
$V_i$	input voltage	with respect to AGND	-0.3	+6.0	V
$V_{clk(p-p)}$	AC input switching voltage (peak-to-peak value)	with respect to DGND	-	$V_{CCD}$	V
$T_{stg}$	storage temperature		-55	+150	°C
$T_{amb}$	ambient temperature		-20	+75	°C
$T_j$	junction temperature		-	150	°C

## THERMAL CHARACTERISTICS

SYMBOL	PARAMETER	CONDITIONS	VALUE	UNIT
$R_{th(j-a)}$	thermal resistance from junction to ambient	in free air	75	K/W

## CHARACTERISTICS

$V_{CCA} = V_7$  and  $V_8$  to  $V_1$  and  $V_{13} = 4.75$  to  $5.5$  V;  $V_{CCD} = V_{31}$  and  $V_{14}$  to  $V_{28}$  and  $V_{25} = 4.75$  to  $5.5$  V;  $V_{CCO} = V_{44}$  to  $V_{33} = 2.7$  to  $3.3$  V; AGND1, AGND2, OGND, DGND1 and DGND2 are shorted together;  $T_{amb} = -20$  to  $+75$  °C; measured typically at  $V_{CCA} = V_{CCD} = 5$  V and  $V_{CCO} = 3.0$  V;  $C_L = 15$  pF;  $T_{amb} = 25$  °C; unless otherwise specified.

SYMBOL	PARAMETER	CONDITIONS	MIN.	TYP.	MAX.	UNIT
<b>Supplies</b>						
$V_{CCA1}$	analog supply voltage for the ADC part		4.75	5.0	5.5	V
$V_{CCD1}$	digital supply voltage for the ADC part		4.75	5.0	5.5	V
$V_{CCA2}$	analog supply voltage for the DAC part		4.75	5.0	5.5	V
$V_{CCD2}$	digital supply voltage for the DAC part		4.75	5.0	5.5	V
$V_{CCO}$	output stage supply voltage		2.7	3.0	3.3	V

# 10-bit converter interface (ADC/DAC) for quadrature transceiver

TDA8779H

SYMBOL	PARAMETER	CONDITIONS	MIN.	TYP.	MAX.	UNIT
$\Delta V_{CC}$	voltage difference between $V_{CCA} - V_{CCD}$	$T_{amb} = 25\text{ }^{\circ}\text{C}$	-0.2	-	+0.2	V
	$V_{CCA} - V_{CCO}$		0	-	2.8	V
	$V_{CCD} - V_{CCO}$		0	-	2.8	V
$I_{CCA}$	analog supply current		59	74	85	mA
$I_{CCD}$	digital supply current		15	23	35	mA
$I_{CCO}$	output stage supply current	ramp input; $f_{CLK} = 20\text{ MHz}$	-	7	15	mA
$I_{CCA1(stb)}$	analog standby current for the ADC part		-	0.7	3	mA
$I_{CCA2(stb)}$	analog standby current for the DAC part		-	2.5	5	mA
<b>ADC part</b>						
CLOCK INPUT						
$V_{IL}$	LOW-level input voltage	$T_{amb} = 25\text{ }^{\circ}\text{C}$	0	-	0.8	V
$V_{IH}$	HIGH-level input voltage	$T_{amb} = 25\text{ }^{\circ}\text{C}$	2.0	-	$V_{CCD1}$	V
$I_{IL}$	LOW-level input current		-10	-	+10	$\mu\text{A}$
$I_{IH}$	HIGH-level input current		-10	-	+10	$\mu\text{A}$
DIGITAL INPUTS: PINS $\overline{OE}$ AND STDBYA						
$V_{IL}$	LOW-level input voltage	$T_{amb} = 25\text{ }^{\circ}\text{C}$	0	-	0.8	V
$V_{IH}$	HIGH-level input voltage	$T_{amb} = 25\text{ }^{\circ}\text{C}$	2.0	-	$V_{CCD1}$	V
$I_{IL}$	LOW-level input current		-10	-	+10	$\mu\text{A}$
$I_{IH}$	HIGH-level input current		-10	-	+10	$\mu\text{A}$
ANALOG INPUTS						
$I_{IL}$	LOW-level input current	for code 0	-	-91	-	$\mu\text{A}$
$I_{IH}$	HIGH-level input current	for code 1023	-	80	-	$\mu\text{A}$
$V_{i(p-p)}$	analog input voltage (peak-to-peak value)	full-scale	1.52	1.57	1.62	V
$V_{i(p-p)over}$	maximum analog input overvoltage (peak-to-peak value)	overvoltage for $f_i = 4.43\text{ MHz}$ ; $T_{amb} = 25\text{ }^{\circ}\text{C}$	-	-	3.0	V
$Z_I$	input impedance		-	10	-	k $\Omega$
$C_I$	input capacitance		-	3	-	pF
DIGITAL OUTPUTS: D0A TO D9A						
$V_{OL}$	LOW-level output voltage	$I_o = 1\text{ mA}$	0	-	0.5	V
$V_{OH}$	HIGH-level output voltage	$I_o = -1\text{ mA}$	$V_{CCO} - 0.5$	-	$V_{CCO}$	V
$I_{oZ}$	output current in 3-state mode	$0.5\text{ V} < V_o < V_{CCO} - 0.5\text{ V}$	-20	-	+20	$\mu\text{A}$
SWITCHING CHARACTERISTICS; $T_{amb} = 25\text{ }^{\circ}\text{C}$ (see Fig.3)						
$f_{CLK(max)}$	maximum clock frequency		20	-	-	MHz
$t_{CH}$	clock pulse width HIGH		20	-	-	ns

10-bit converter interface (ADC/DAC) for  
quadrature transceiver

TDA8779H

SYMBOL	PARAMETER	CONDITIONS	MIN.	TYP.	MAX.	UNIT
$t_{CL}$	clock pulse width LOW		20	–	–	ns
$t_r$	clock rise time		–	4	–	ns
$t_f$	clock fall time		–	4	–	ns
ANALOG SIGNAL PROCESSING						
<i>Linearity</i>						
INLA	integral non linearity	ramp input; $f_{CLK} = 20$ MHz	–	$\pm 2.25$	$\pm 4$	LSB
DNLA	differential non linearity maximum missing codes guaranteed: 20	full-scale; ramp input; $f_{CLK} = 20$ MHz	–	+1.55 to –0.9	+2.8 to –1.1	LSB
<i>Noise floor; note 1</i>						
NF	noise floor	$f_i = 4.43$ MHz; 20 Msps	–55	–71	–	dB
<i>Harmonics; note 2</i>						
THD	total harmonic distortion	$f_i = 4.43$ MHz; 20 Msps	–50	–58	–	dB
<i>Spurious free dynamic range</i>						
SFDR	spurious free dynamic range	$f_i = 4.43$ MHz; 20 Msps	50	58	–	dB
<i>Matching between the I and Q channels</i>						
$\Delta V$	amplitude matching	$f_i = 4.43$ MHz; $f_{CLK} = 20$ MHz; $T_{amb} = 25$ °C	–	0.1	6	%
$\Delta\phi$	phase matching	$f_i = 4.43$ MHz; $f_{CLK} = 20$ MHz; $T_{amb} = 25$ °C	–	0.05	2	deg
<i>Bandwidth</i>						
B	bandwidth (maximum attenuation of –0.3 dB)	full-scale sine wave; $T_{amb} = 25$ °C	30	–	–	MHz
		50% full-scale sine wave; $T_{amb} = 25$ °C	30	–	–	MHz
TIMING (THE OUTPUT DATA IS AVAILABLE AFTER THE MAXIMUM DELAY TIME $t_d$ ); $C_L = 15$ pF; $T_{amb} = 25$ °C (see Fig.3)						
$t_{ds}$	sampling delay time		–	–	11	ns
$t_h$	output hold time		5	–	–	ns
$t_d$	output delay time	$V_{CCO} = 3.3$ V	–	12	–	ns
		$V_{CCO} = 2.7$ V	–	13	–	ns
3-STATE OUTPUT DELAY TIMES; $T_{amb} = 25$ °C (see Fig.4)						
$t_{dZH}$	output delay enable HIGH		–	10	–	ns
$t_{dZL}$	output delay enable LOW		–	7.7	–	ns
$t_{dHZ}$	output delay disable HIGH		–	15.5	–	ns
$t_{dLZ}$	output delay disable LOW		–	14.9	–	ns



10-bit converter interface (ADC/DAC) for  
quadrature transceiver

TDA8779H

SYMBOL	PARAMETER	CONDITIONS	MIN.	TYP.	MAX.	UNIT
STANDBY MODE OUTPUT DELAY TIMES; STDBYA; $T_{amb} = 25\text{ }^{\circ}\text{C}$						
$t_{d(stb)LH}$	standby delay (LOW-to-HIGH transition)		–	–	100	$\mu\text{s}$
$t_{d(stb)HL}$	start-up delay (HIGH-to-LOW transition)		–	–	100	$\mu\text{s}$
CROSSTALK ON THE ADC						
$\alpha_{ct}$	crosstalk on the ADC	$f_{CLK(DAC)} = 16.384\text{ MHz}$ ; $f_{CLK(ADC)} = 8.192\text{ MHz}$ ; $T_{amb} = 25\text{ }^{\circ}\text{C}$ ; both DACs switching between input codes 0 and 1023; one ADC 1 V (p-p) sine wave at 4 MHz and the other ADC set at the middle code	–50	–55	–	dB
<b>DAC part</b>						
DIGITAL INPUTS: D0D TO D9D AND CLKD						
$V_{IL}$	LOW-level input voltage	$T_{amb} = 25\text{ }^{\circ}\text{C}$	0	–	0.8	V
$V_{IH}$	HIGH-level input voltage	$T_{amb} = 25\text{ }^{\circ}\text{C}$	2.0	–	$V_{CCD2}$	V
$I_{IL}$	LOW-level input current		–200	–	0	$\mu\text{A}$
$I_{IH}$	HIGH-level input current		–10	–	+10	$\mu\text{A}$
DIGITAL INPUT; STDBYD						
$V_{IL}$	LOW-level input voltage	$T_{amb} = 25\text{ }^{\circ}\text{C}$	0	–	0.8	V
$V_{IH}$	HIGH-level input voltage	$T_{amb} = 25\text{ }^{\circ}\text{C}$	2.0	–	$V_{CCD2}$	V
$I_{IL}$	LOW-level input current		–10	–	+10	$\mu\text{A}$
$I_{IH}$	HIGH-level input current		–10	–	+10	$\mu\text{A}$
TIMING; $T_{amb} = 25\text{ }^{\circ}\text{C}$ (see Fig.5)						
$f_{CLK(max)}$	maximum clock frequency		20	–	–	MHz
$t_{CH}$	clock pulse width HIGH		20	–	–	ns
$t_{CL}$	clock pulse width LOW		20	–	–	ns
$t_r$	clock rise time		–	4	–	ns
$t_f$	clock fall time		–	4	–	ns
$t_s$	input data set-up time		11	–	–	ns
$t_h$	input data hold time		0	–	–	ns
ANALOG OUTPUTS; note 3						
$V_{o(p-p)}$	output voltage (peak-to-peak value)	full-scale	0.9	1	1.1	V
$Z_{oL}$	output load impedance	see Fig.6	–	15	–	pF
			–	0.3	–	k $\Omega$

## 10-bit converter interface (ADC/DAC) for quadrature transceiver

TDA8779H

SYMBOL	PARAMETER	CONDITIONS	MIN.	TYP.	MAX.	UNIT
TRANSFER FUNCTION						
INLD	integral non linearity	ramp input; $f_{\text{CLK}} = 20 \text{ MHz}$	–	$\pm 0.4$	$\pm 1.25$	LSB
DNLD	differential non linearity	ramp input; $f_{\text{CLK}} = 20 \text{ MHz}$	–	$\pm 0.35$	$\pm 1.5$	LSB
$t_{\text{st}}$	settling time	10% to 90% full-scale; $T_{\text{amb}} = 25 \text{ }^\circ\text{C}$	–	8.0	–	ns
		10% to 90% for 10% full-scale; $T_{\text{amb}} = 25 \text{ }^\circ\text{C}$	–	7	–	ns
MATCHING BETWEEN CHANNEL I AND Q						
$\Delta V$	amplitude matching	$f_o = 4.43 \text{ MHz}$ ; $f_{\text{CLK}} = 20 \text{ MHz}$ ; $T_{\text{amb}} = 25 \text{ }^\circ\text{C}$	–	0.2	6	%
$\Delta\phi$	phase matching	$f_o = 4.43 \text{ MHz}$ ; $f_{\text{CLK}} = 20 \text{ MHz}$ ; $T_{\text{amb}} = 25 \text{ }^\circ\text{C}$	–	–	2	deg
DYNAMIC RANGE; note 1						
NF	noise floor	$f_o = 4.43 \text{ MHz}$ ; $f_{\text{CLK}} = 20 \text{ MHz}$	–56	–61	–	dB
SPURIOUS FREE DYNAMIC RANGE						
SFDR	spurious free dynamic range	$f_o = 4.43 \text{ MHz}$ ; $f_{\text{CLK}} = 20 \text{ MHz}$	–	55	–	dB
STANDBY MODE OUTPUT DELAY; STDBYD; $T_{\text{amb}} = 25 \text{ }^\circ\text{C}$						
$t_{\text{d(stb)LH}}$	standby delay (LOW-to-HIGH transition)		–	–	100	$\mu\text{s}$
$t_{\text{d(stb)HL}}$	start-up delay (HIGH-to-LOW transition)		–	–	100	$\mu\text{s}$
CROSSTALK ON THE DAC						
$\alpha_{\text{ct}}$	crosstalk on the DAC	$f_{\text{CLK(DAC)}} = 16.384 \text{ MHz}$ ; $f_{\text{CLK(ADC)}} = 8.192 \text{ MHz}$ ; $T_{\text{amb}} = 25 \text{ }^\circ\text{C}$ ; one DAC switching between input codes 0 and 1023 the other DAC set at the middle code; both ADCs 1 V (p-p) sine wave at 4 MHz; incoherent	–60	–75	–	dB

## Notes

1. The noise floor is the maximum value of the output spectrum without taking into account fundamental and harmonics of the input signal up to the 6th harmonic.
2. Harmonics are obtained via a Fast Fourier Transformer (FFT) treatment taking 8k acquisition points per period.
3. It is recommended that the DAC output voltage is AC coupled in order to achieve optimum performance.

# 10-bit converter interface (ADC/DAC) for quadrature transceiver

TDA8779H

**Table 1** Output coding and input voltage (typical value, with respect to AGND)

STEP	$V_i - V_{512}$ (V)	BINARY OUTPUT BITS									
		D9A	D8A	D7A	D6A	D5A	D4A	D3A	D2A	D1A	D0A
underflow	<-0.75	0	0	0	0	0	0	0	0	0	0
0	-0.75	0	0	0	0	0	0	0	0	0	0
...	...	...	...	...	...	...	...	...	...	...	...
512	0	1	0	0	0	0	0	0	0	0	0
...	...	...	...	...	...	...	...	...	...	...	...
1023	0.75	1	1	1	1	1	1	1	1	1	0
overflow	>0.75	1	1	1	1	1	1	1	1	1	1

**Table 2** Input coding and output voltage (typical value, with respect to DGND)

STEP	BINARY INPUT BITS										$V_o - V_{512}$ (V)
	D9D	D8D	D7D	D6D	D5D	D4D	D3D	D2D	D1D	D0D	
0	0	0	0	0	0	0	0	0	0	0	-0.5
...	...	...	...	...	...	...	...	...	...	...	...
512	1	0	0	0	0	0	0	0	0	0	0
...	...	...	...	...	...	...	...	...	...	...	...
1023	1	1	1	1	1	1	1	1	1	0	0.5

**Table 3** Mode selection

$\overline{OE}$	D0A TO D9A
1	high impedance
0	active; binary

**Table 4** Standby selection (ADC part)

STDBYA	D0 TO D9	$I_{CCA} + I_{CCD}$ (typ.)
1	–	5 mA
0	ADC active	64 mA

**Table 5** Standby selection (DAC part)

STDBYD	OUTI AND OUTQ	$I_{CCA} + I_{CCD}$ (typ.)
1	–	5 mA
0	DAC active	38 mA

10-bit converter interface (ADC/DAC) for quadrature transceiver

TDA8779H

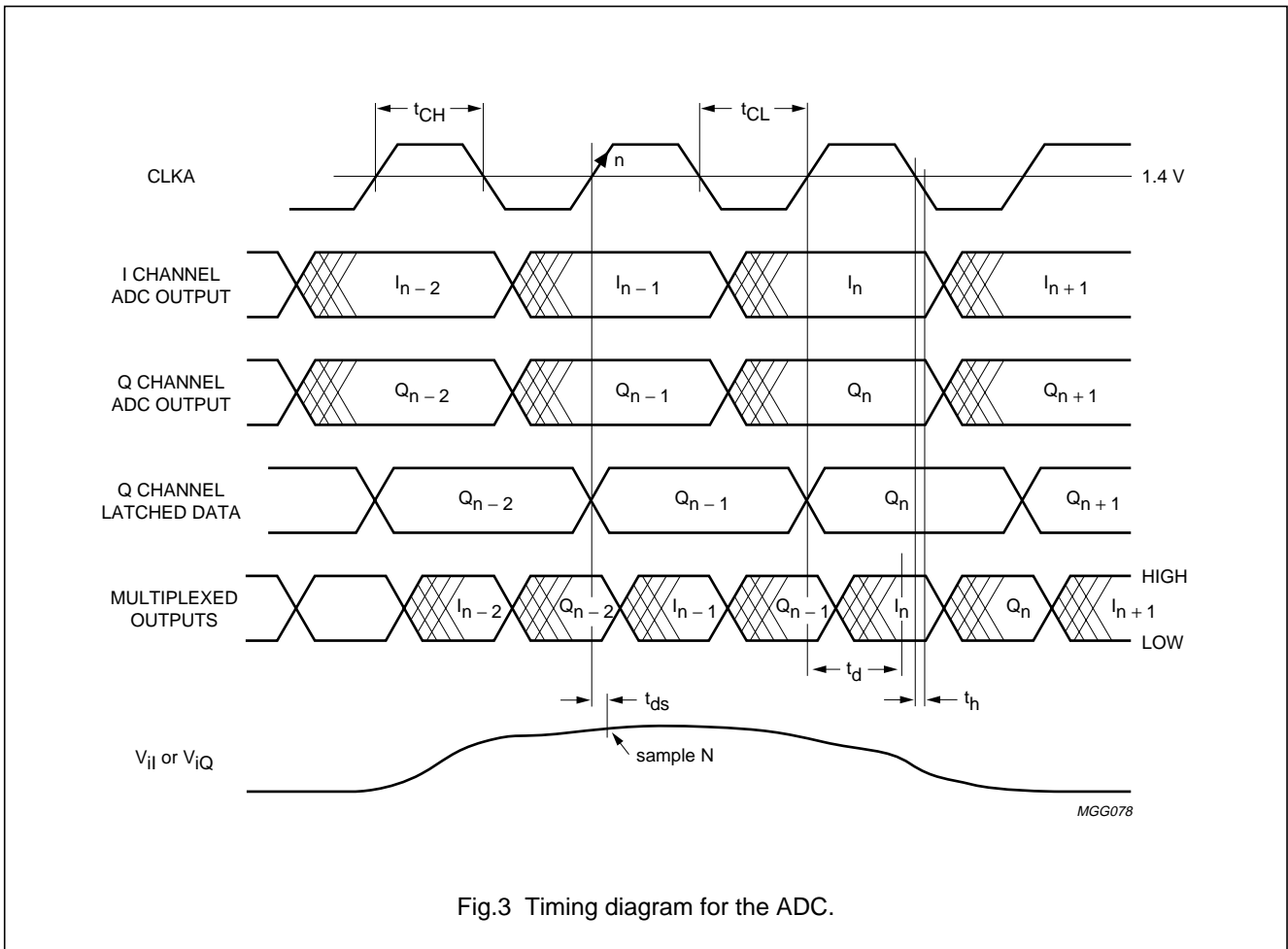
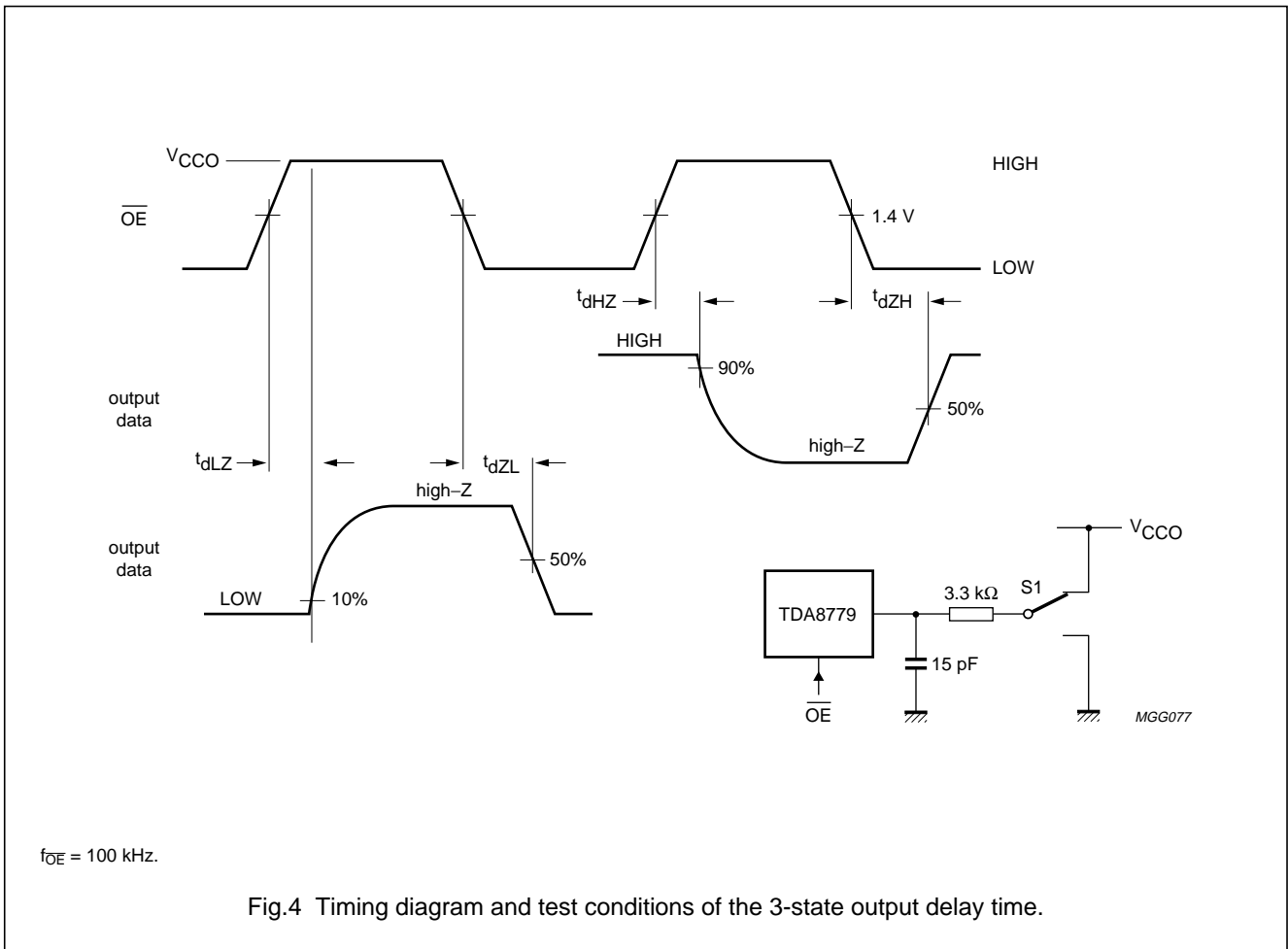


Fig.3 Timing diagram for the ADC.

10-bit converter interface (ADC/DAC) for quadrature transceiver

TDA8779H



**Table 6** Test conditions for Fig.4

TEST	SWITCH S1
$t_{dLZ}$	$V_{CCO}$
$t_{dZL}$	$V_{CCO}$
$t_{dHZ}$	OGND
$t_{dZH}$	OGND

10-bit converter interface (ADC/DAC) for quadrature transceiver

TDA8779H

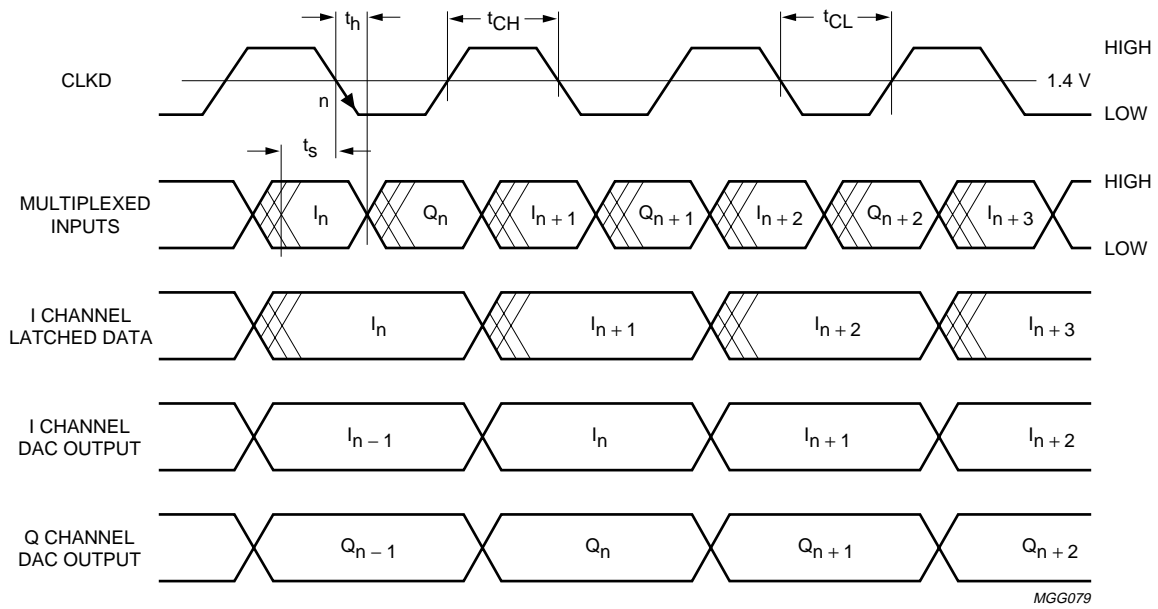


Fig.5 DACs multiplexed inputs timing diagram.

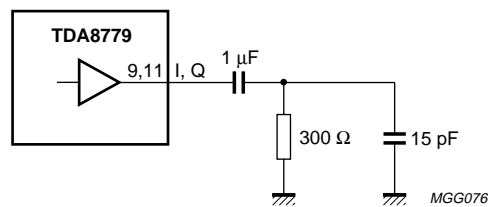


Fig.6 Equivalent DACs output load.

# 10-bit converter interface (ADC/DAC) for quadrature transceiver

TDA8779H

## APPLICATION INFORMATION

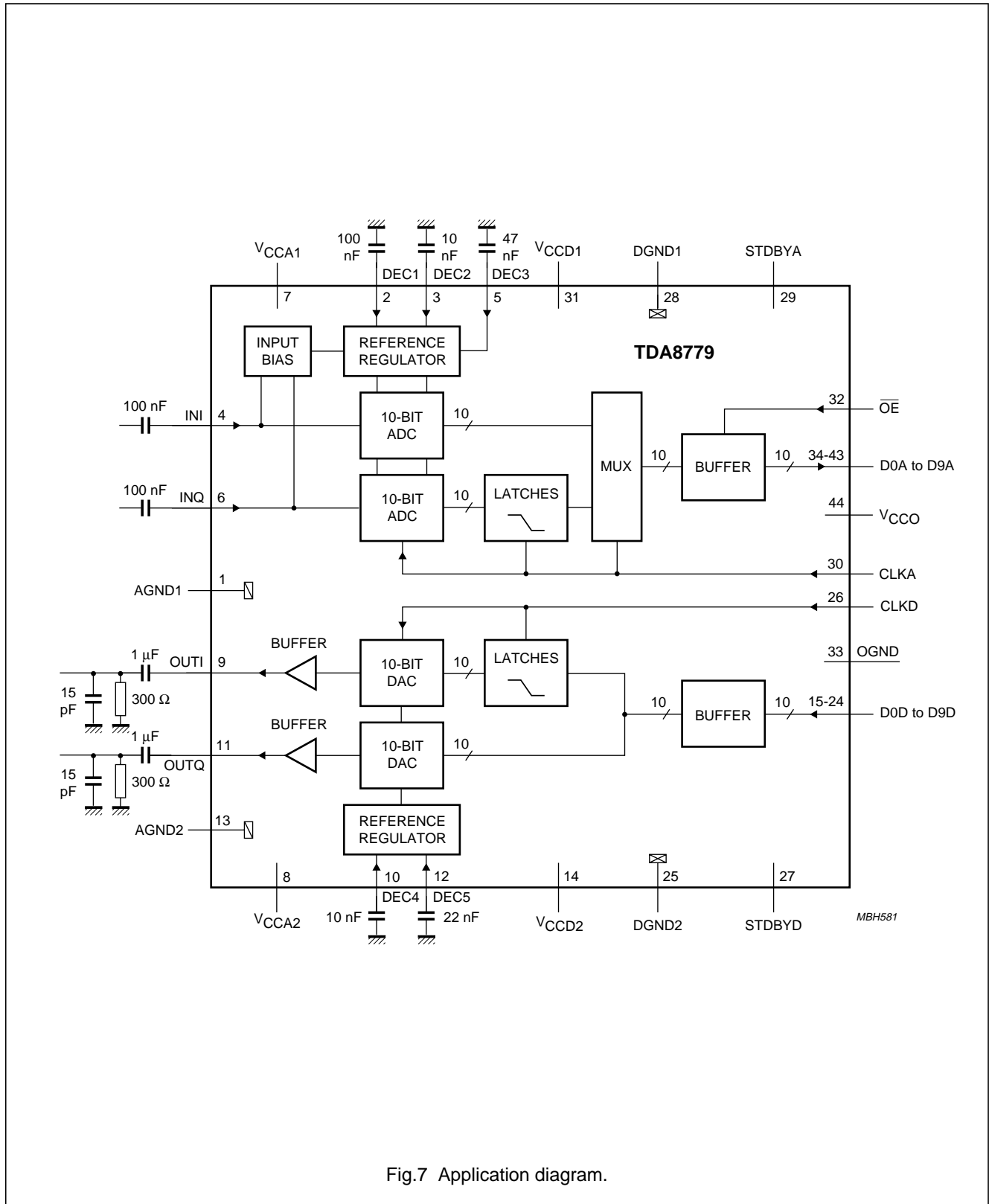


Fig.7 Application diagram.

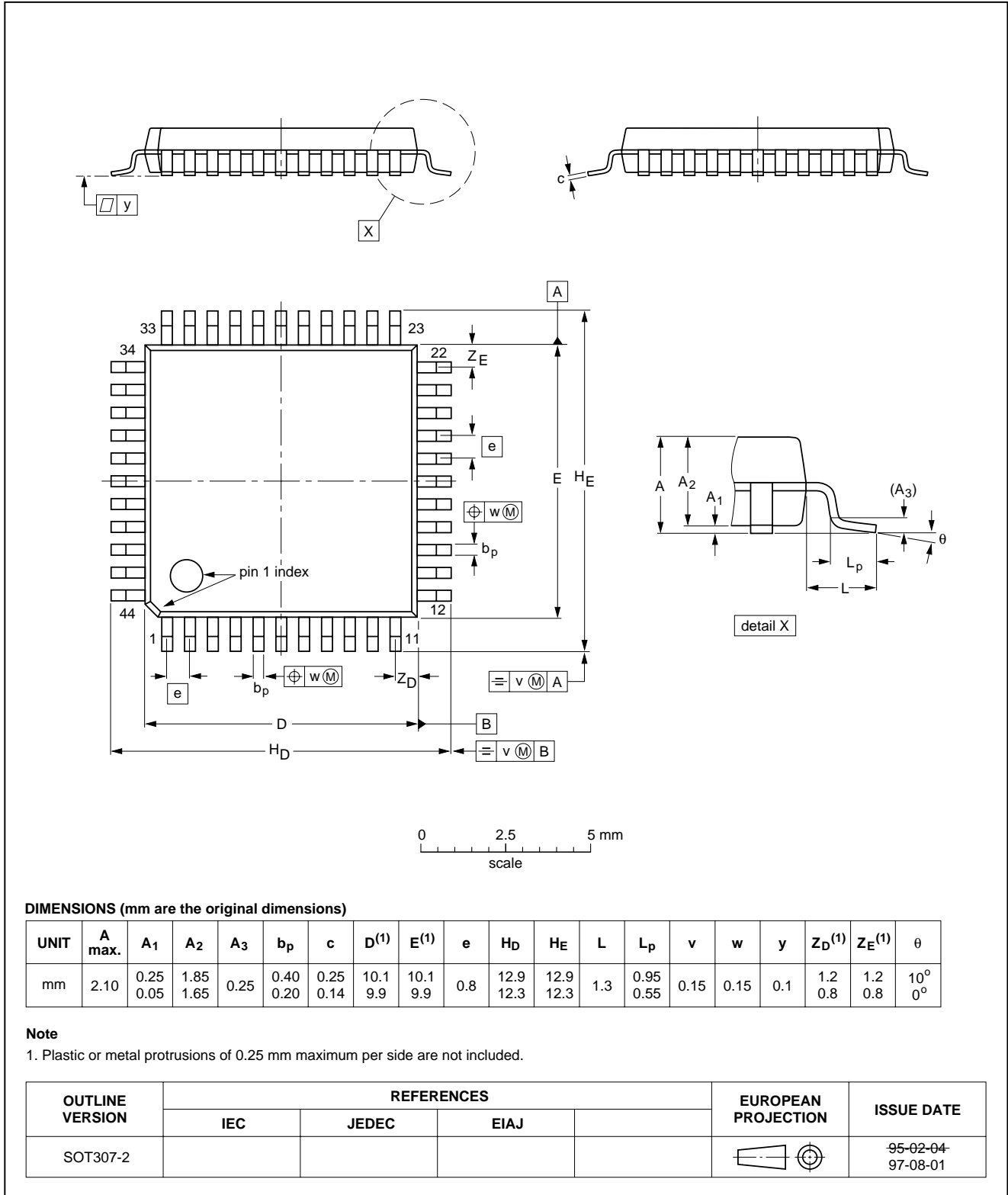
10-bit converter interface (ADC/DAC) for quadrature transceiver

TDA8779H

PACKAGE OUTLINE

QFP44: plastic quad flat package; 44 leads (lead length 1.3 mm); body 10 x 10 x 1.75 mm

SOT307-2





## 10-bit converter interface (ADC/DAC) for quadrature transceiver

TDA8779H

### SOLDERING

#### Introduction to soldering surface mount packages

This text gives a very brief insight to a complex technology. A more in-depth account of soldering ICs can be found in our *"Data Handbook IC26; Integrated Circuit Packages"* (document order number 9398 652 90011).

There is no soldering method that is ideal for all surface mount IC packages. Wave soldering is not always suitable for surface mount ICs, or for printed-circuit boards with high population densities. In these situations reflow soldering is often used.

#### Reflow soldering

Reflow soldering requires solder paste (a suspension of fine solder particles, flux and binding agent) to be applied to the printed-circuit board by screen printing, stencilling or pressure-syringe dispensing before package placement.

Several methods exist for reflowing; for example, infrared/convection heating in a conveyor type oven. Throughput times (preheating, soldering and cooling) vary between 100 and 200 seconds depending on heating method.

Typical reflow peak temperatures range from 215 to 250 °C. The top-surface temperature of the packages should preferably be kept below 230 °C.

#### Wave soldering

Conventional single wave soldering is not recommended for surface mount devices (SMDs) or printed-circuit boards with a high component density, as solder bridging and non-wetting can present major problems.

To overcome these problems the double-wave soldering method was specifically developed.

If wave soldering is used the following conditions must be observed for optimal results:

- Use a double-wave soldering method comprising a turbulent wave with high upward pressure followed by a smooth laminar wave.
- For packages with leads on two sides and a pitch (e):
  - larger than or equal to 1.27 mm, the footprint longitudinal axis is **preferred** to be parallel to the transport direction of the printed-circuit board;
  - smaller than 1.27 mm, the footprint longitudinal axis **must** be parallel to the transport direction of the printed-circuit board.

The footprint must incorporate solder thieves at the downstream end.

- For packages with leads on four sides, the footprint must be placed at a 45° angle to the transport direction of the printed-circuit board. The footprint must incorporate solder thieves downstream and at the side corners.

During placement and before soldering, the package must be fixed with a droplet of adhesive. The adhesive can be applied by screen printing, pin transfer or syringe dispensing. The package can be soldered after the adhesive is cured.

Typical dwell time is 4 seconds at 250 °C.

A mildly-activated flux will eliminate the need for removal of corrosive residues in most applications.

#### Manual soldering

Fix the component by first soldering two diagonally-opposite end leads. Use a low voltage (24 V or less) soldering iron applied to the flat part of the lead. Contact time must be limited to 10 seconds at up to 300 °C.

When using a dedicated tool, all other leads can be soldered in one operation within 2 to 5 seconds between 270 and 320 °C.

# 10-bit converter interface (ADC/DAC) for quadrature transceiver

TDA8779H

## Suitability of surface mount IC packages for wave and reflow soldering methods

PACKAGE	SOLDERING METHOD	
	WAVE	REFLOW <sup>(1)</sup>
HLQFP, HSQFP, HSOP, SMS	not suitable <sup>(2)</sup>	suitable
PLCC <sup>(3)</sup> , SO	suitable	suitable
LQFP, QFP, TQFP	not recommended <sup>(3)(4)</sup>	suitable
SQFP	not suitable	suitable
SSOP, TSSOP, VSO	not recommended <sup>(5)</sup>	suitable

### Notes

- All surface mount (SMD) packages are moisture sensitive. Depending upon the moisture content, the maximum temperature (with respect to time) and body size of the package, there is a risk that internal or external package cracks may occur due to vaporization of the moisture in them (the so called popcorn effect). For details, refer to the Drypack information in the "Data Handbook IC26; Integrated Circuit Packages; Section: Packing Methods".
- These packages are not suitable for wave soldering as a solder joint between the printed-circuit board and heatsink (at bottom version) can not be achieved, and as solder may stick to the heatsink (on top version).
- If wave soldering is considered, then the package must be placed at a 45° angle to the solder wave direction. The package footprint must incorporate solder thieves downstream and at the side corners.
- Wave soldering is only suitable for LQFP, TQFP and QFP packages with a pitch (e) equal to or larger than 0.8 mm; it is definitely not suitable for packages with a pitch (e) equal to or smaller than 0.65 mm.
- Wave soldering is only suitable for SSOP and TSSOP packages with a pitch (e) equal to or larger than 0.65 mm; it is definitely not suitable for packages with a pitch (e) equal to or smaller than 0.5 mm.

### DEFINITIONS

Data sheet status	
Objective specification	This data sheet contains target or goal specifications for product development.
Preliminary specification	This data sheet contains preliminary data; supplementary data may be published later.
Product specification	This data sheet contains final product specifications.
Limiting values	
Limiting values given are in accordance with the Absolute Maximum Rating System (IEC 134). Stress above one or more of the limiting values may cause permanent damage to the device. These are stress ratings only and operation of the device at these or at any other conditions above those given in the Characteristics sections of the specification is not implied. Exposure to limiting values for extended periods may affect device reliability.	
Application information	
Where application information is given, it is advisory and does not form part of the specification.	

### LIFE SUPPORT APPLICATIONS

These products are not designed for use in life support appliances, devices, or systems where malfunction of these products can reasonably be expected to result in personal injury. Philips customers using or selling these products for use in such applications do so at their own risk and agree to fully indemnify Philips for any damages resulting from such improper use or sale.

---

10-bit converter interface (ADC/DAC) for  
quadrature transceiver

---

TDA8779H

**NOTES**

# Philips Semiconductors – a worldwide company

**Argentina:** see South America

**Australia:** 3 Figtree Drive, HOMEBUSH, NSW 2140,  
Tel. +61 2 9704 8141, Fax. +61 2 9704 8139

**Austria:** Computerstr. 6, A-1101 WIEN, P.O. Box 213,  
Tel. +43 1 60 101 1248, Fax. +43 1 60 101 1210

**Belarus:** Hotel Minsk Business Center, Bld. 3, r. 1211, Volodarski Str. 6,  
220050 MINSK, Tel. +375 172 20 0733, Fax. +375 172 20 0773

**Belgium:** see The Netherlands

**Brazil:** see South America

**Bulgaria:** Philips Bulgaria Ltd., Energoproject, 15th floor,  
51 James Bourchier Blvd., 1407 SOFIA,  
Tel. +359 2 68 9211, Fax. +359 2 68 9102

**Canada:** PHILIPS SEMICONDUCTORS/COMPONENTS,  
Tel. +1 800 234 7381, Fax. +1 800 943 0087

**China/Hong Kong:** 501 Hong Kong Industrial Technology Centre,  
72 Tat Chee Avenue, Kowloon Tong, HONG KONG,  
Tel. +852 2319 7888, Fax. +852 2319 7700

**Colombia:** see South America

**Czech Republic:** see Austria

**Denmark:** Sydhavnsgade 23, 1780 COPENHAGEN V,  
Tel. +45 33 29 3333, Fax. +45 33 29 3905

**Finland:** Sinikalliontie 3, FIN-02630 ESPOO,  
Tel. +358 9 615 800, Fax. +358 9 6158 0920

**France:** 51 Rue Carnot, BP317, 92156 SURESNES Cedex,  
Tel. +33 1 4099 6161, Fax. +33 1 4099 6427

**Germany:** Hammerbrookstraße 69, D-20097 HAMBURG,  
Tel. +49 40 2353 60, Fax. +49 40 2353 6300

**Hungary:** see Austria

**India:** Philips INDIA Ltd, Band Box Building, 2nd floor,  
254-D, Dr. Annie Besant Road, Worli, MUMBAI 400 025,  
Tel. +91 22 493 8541, Fax. +91 22 493 0966

**Indonesia:** PT Philips Development Corporation, Semiconductors Division,  
Gedung Philips, Jl. Buncit Raya Kav.99-100, JAKARTA 12510,  
Tel. +62 21 794 0040 ext. 2501, Fax. +62 21 794 0080

**Ireland:** Newstead, Clonskeagh, DUBLIN 14,  
Tel. +353 1 7640 000, Fax. +353 1 7640 200

**Israel:** RAPAC Electronics, 7 Kehilat Saloniki St, PO Box 18053,  
TEL AVIV 61180, Tel. +972 3 645 0444, Fax. +972 3 649 1007

**Italy:** PHILIPS SEMICONDUCTORS, Via Casati, 23 - 20052 MONZA (MI),  
Tel. +39 039 203 6838, Fax +39 039 203 6800

**Japan:** Philips Bldg 13-37, Kohnan 2-chome, Minato-ku,  
TOKYO 108-8507, Tel. +81 3 3740 5130, Fax. +81 3 3740 5057

**Korea:** Philips House, 260-199 Itaewon-dong, Yongsan-ku, SEOUL,  
Tel. +82 2 709 1412, Fax. +82 2 709 1415

**Malaysia:** No. 76 Jalan Universiti, 46200 PETALING JAYA, SELANGOR,  
Tel. +60 3 750 5214, Fax. +60 3 757 4880

**Mexico:** 5900 Gateway East, Suite 200, EL PASO, TEXAS 79905,  
Tel. +9-5 800 234 7381, Fax +9-5 800 943 0087

**Middle East:** see Italy

**Netherlands:** Postbus 90050, 5600 PB EINDHOVEN, Bldg. VB,  
Tel. +31 40 27 82785, Fax. +31 40 27 88399

**New Zealand:** 2 Wagener Place, C.P.O. Box 1041, AUCKLAND,  
Tel. +64 9 849 4160, Fax. +64 9 849 7811

**Norway:** Box 1, Manglerud 0612, OSLO,  
Tel. +47 22 74 8000, Fax. +47 22 74 8341

**Pakistan:** see Singapore

**Philippines:** Philips Semiconductors Philippines Inc.,  
106 Valero St. Salcedo Village, P.O. Box 2108 MCC, MAKATI,  
Metro MANILA, Tel. +63 2 816 6380, Fax. +63 2 817 3474

**Poland:** Al.Jerozolimskie 195 B, 02-222 WARSAW,  
Tel. +48 22 5710 000, Fax. +48 22 5710 001

**Portugal:** see Spain

**Romania:** see Italy

**Russia:** Philips Russia, Ul. Usatcheva 35A, 119048 MOSCOW,  
Tel. +7 095 755 6918, Fax. +7 095 755 6919

**Singapore:** Lorong 1, Toa Payoh, SINGAPORE 319762,  
Tel. +65 350 2538, Fax. +65 251 6500

**Slovakia:** see Austria

**Slovenia:** see Italy

**South Africa:** S.A. PHILIPS Pty Ltd., 195-215 Main Road Martindale,  
2092 JOHANNESBURG, P.O. Box 58088 Newville 2114,  
Tel. +27 11 471 5401, Fax. +27 11 471 5398

**South America:** Al. Vicente Pinzon, 173, 6th floor,  
04547-130 SÃO PAULO, SP, Brazil,  
Tel. +55 11 821 2333, Fax. +55 11 821 2382

**Spain:** Balmes 22, 08007 BARCELONA,  
Tel. +34 93 301 6312, Fax. +34 93 301 4107

**Sweden:** Kottbygatan 7, Akalla, S-16485 STOCKHOLM,  
Tel. +46 8 5985 2000, Fax. +46 8 5985 2745

**Switzerland:** Allmendstrasse 140, CH-8027 ZÜRICH,  
Tel. +41 1 488 2741 Fax. +41 1 488 3263

**Taiwan:** Philips Semiconductors, 6F, No. 96, Chien Kuo N. Rd., Sec. 1,  
TAIPEI, Taiwan Tel. +886 2 2134 2886, Fax. +886 2 2134 2874

**Thailand:** PHILIPS ELECTRONICS (THAILAND) Ltd.,  
209/2 Sanpavuth-Bangna Road Prakanong, BANGKOK 10260,  
Tel. +66 2 745 4090, Fax. +66 2 398 0793

**Turkey:** Yukari Dudullu, Org. San. Blg., 2.Cad. Nr. 28 81260 Umraniye,  
ISTANBUL, Tel. +90 216 522 1500, Fax. +90 216 522 1813

**Ukraine:** PHILIPS UKRAINE, 4 Patrice Lumumba str., Building B, Floor 7,  
252042 KIEV, Tel. +380 44 264 2776, Fax. +380 44 268 0461

**United Kingdom:** Philips Semiconductors Ltd., 276 Bath Road, Hayes,  
MIDDLESEX UB3 5BX, Tel. +44 208 730 5000, Fax. +44 208 754 8421

**United States:** 811 East Arques Avenue, SUNNYVALE, CA 94088-3409,  
Tel. +1 800 234 7381, Fax. +1 800 943 0087

**Uruguay:** see South America

**Vietnam:** see Singapore

**Yugoslavia:** PHILIPS, Trg N. Pasica 5/v, 11000 BEOGRAD,  
Tel. +381 11 62 5344, Fax.+381 11 63 5777

**For all other countries apply to:** Philips Semiconductors,  
International Marketing & Sales Communications, Building BE-p, P.O. Box 218,  
5600 MD EINDHOVEN, The Netherlands, Fax. +31 40 27 24825

**Internet:** <http://www.semiconductors.philips.com>

© Philips Electronics N.V. 1999

SCA68

All rights are reserved. Reproduction in whole or in part is prohibited without the prior written consent of the copyright owner.

The information presented in this document does not form part of any quotation or contract, is believed to be accurate and reliable and may be changed without notice. No liability will be accepted by the publisher for any consequence of its use. Publication thereof does not convey nor imply any license under patent- or other industrial or intellectual property rights.

Printed in The Netherlands

545004/25/04/pp20

Date of release: 1999 Sep 16

Document order number: 9397 750 06124

*Let's make things better.*

**Philips**  
Semiconductors



**PHILIPS**